



COMPATIBLE WITH

 EXCAVATORS

LOG GRABS GRA-E · GRA-ER

HANDLING WOOD AND TIMBER

RIGID INSTALLATION

- Bronze bushings in all pins for perfect lubrication
- S700 blades for high strength and low weight
- Two spacing rods and a single cylinder in central position allow uniform push
- Slew ring rotation included

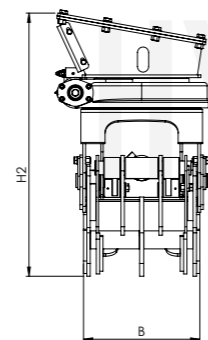
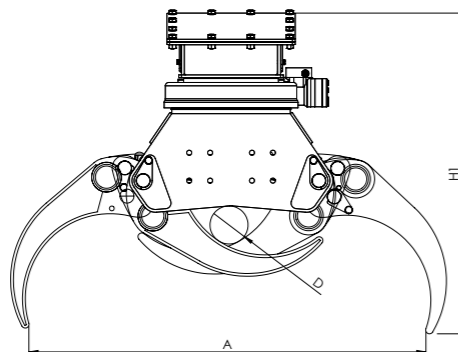


GRA-E
 intensive use
 closed fingers

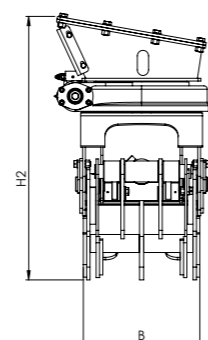
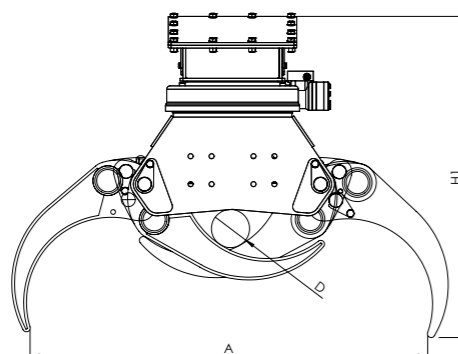


GRA-ER
 intensive use
 3+2 finger configuration

GRA-E



GRA-ER



EXCAVATORS	TON	1-2		2-5		5-12		12-20	
		GRA-E 16R	GRA-ER 16R	GRA-E 22R	GRA-ER 22R	GRA-E 26	GRA-ER 26	GRA-E 42	GRA-ER 42
MODEL		GRA-E 16R	GRA-ER 16R	GRA-E 22R	GRA-ER 22R	GRA-E 26	GRA-ER 26	GRA-E 42	GRA-ER 42
FINGERS		CLOSED	3+2	CLOSED	3+2	CLOSED	3+2	CLOSED	3+2
WEIGHT	kg	158	165	232	242	382	398	693	722
AREA	m ²	0,16	0,16	0,22	0,22	0,26	0,26	0,42	0,42
MAX LOAD	kg	1000	1000	2500	2500	3000	3000	5000	5000
A	mm	1098	1100	1394	1398	1555	1581	2040	2077
B	mm	288	288	346	343	417	417	467	467
H1	mm	797	770	914	896	1085	1046	1254	1214
H2	mm	588	590	770	770	933	943	1073	1073
D - MINIMUM GRIP DIAMETER	mm	58	58	120	120	136	136	154	154
OPEN/ CLOSE CYLINDER	CLAMPING FORCE	daN	800	800	1275	1275	1700	1700	2300
	MAX PRESSURE	bar	250	250	250	250	250	250	250
	MAX FLOW RATE	lt/min	50	50	50	50	50	50	50
ROTATION	MAX PRESSURE	bar	250	250	250	250	250	250	250
	MAX FLOW RATE	lt/min	15	15	15	15	30	30	30

OPTIONAL



WITHOUT ROTATION



EXCAVATOR COUPLING