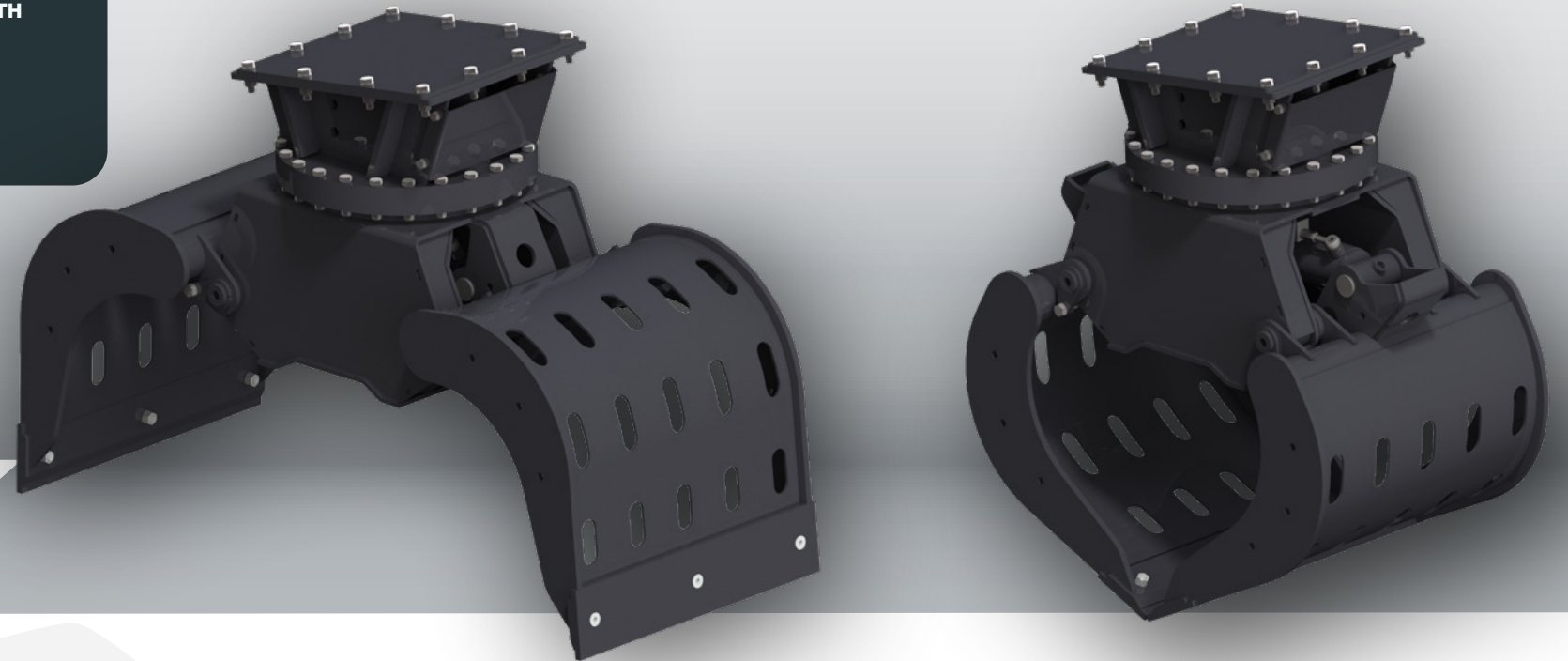




COMPATIBLE WITH



EXCAVATORS

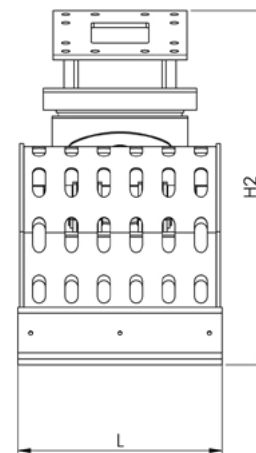
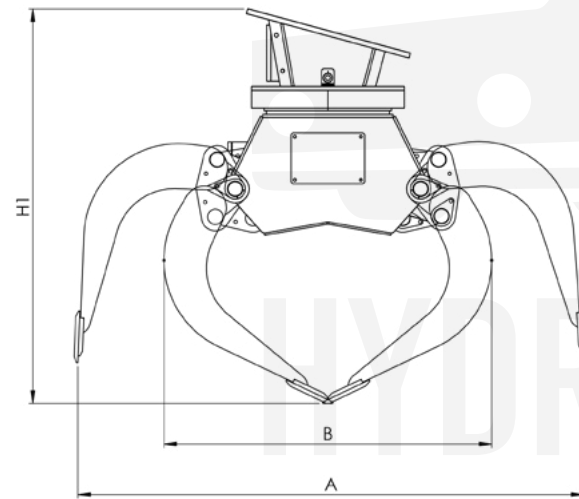



SORTING GRABS SG

GRABS FOR DEMOLITION, RECYCLING, SORTING AND HANDLING MATERIAL

SLEW RING ROTATION INCLUDED

- The wide range of sorting grapples is suitable for excavators of all sizes and designed to handle different kinds of materials.
- Used mainly to sort materials such as metal scrap, plastic, paper or wood at construction sites and large recycling centers, it is a virtually indispensable accessory.
- Each SG sorting grapple includes a rotation unit consisting of a slewing ring and hydraulic motor. In addition to the included rotation, each I.C.M. sorting grapple includes an inclined flange for connection to the excavator.
- These grapples can also be used for demolition jobs, making them a must-have on any construction site. The blades of the I.C.M. grapples are made of HARDOX, a wear-resistant steel of the highest quality.
- Thanks to their sturdy body, I.C.M. sorting grapples are able to tackle heavy-duty tasks whenever required.
- A wide range of supplemental accessories multiply the capabilities of the grapples themselves.



 EXCAVATORS	TON	1 - 3	3 - 6	9 - 15	19 - 23
MODEL		SG 28 R	SG 65 R	SG 150	SG 230
CLAMPING FORCE	daN	1000	2300	2600	5200
WEIGHT	kg	145	244	485	1050
MAX PRESSURE	bar	300	300	300	300
A	mm	800	1200	1600	2000
B	mm	523	765	1011	1280
L	mm	350	500	700	800
H1	mm	650	951	1193	1578
H2	mm	608	838	1032	1373
ROTATION	MAX PRESSURE	bar	250	250	250
	MAX FLOW RATE	lt/min	15	15	30

OPTIONAL



WITHOUT ROTATION



EXCAVATOR COUPLING



TEETH



SIDE WALLS



SIDE WALLS W/ SERRATIONS



www.hydrotruck.cz
info@hydrotruck.cz

Hydrotruck s.r.o.
 Tovačovská 3457/4a
 750 02, Přerov
 Česká republika